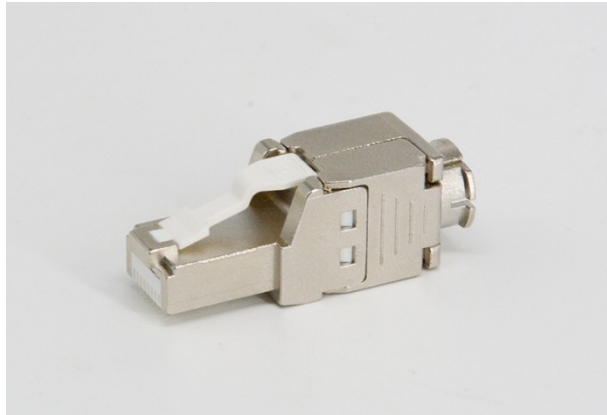


## Cat.5E/6/6A/7/8 FTP RJ45 Modular Connector Toolless Type



### Physicals

- Shell Material: Zinc Alloy Plating Nickel;
- Pin phosphor bronze gold over nickel plating, golden plated 3U";
- PCB: FR-4 UL94V-0;
- IDC Housing: PC UL94V-0;
- IDC CONDUCTOR: Phosphor bronze C5191 over nickel plating.

### Electrical:

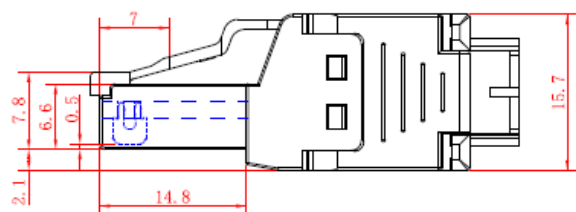
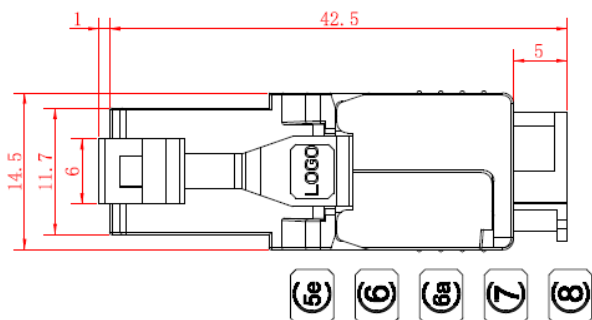
- DC Resistance: 0.1Ω;
- DC/AC Volt Endurance: 1000V/AC 750V 1Min;
- Voltage rating: 125 VAC RMS;
- Current rating: 1.5 AMP;
- Contact resistance:  $\leq 20$  MΩ;
- Insulation resistance: 500 MΩ 100V/DC/1Min;
- Dielectric strength: 750 VAC RMS 60 Hz, 1 min.;

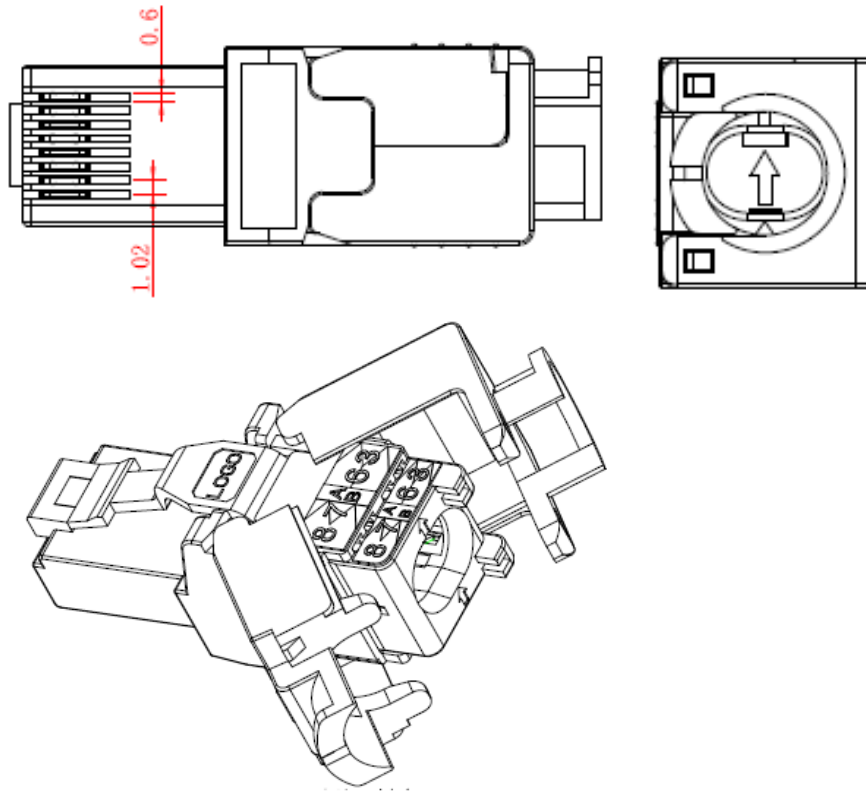
### Environment of Adaptations:

- Storage:  $-40^{\circ} \sim 75^{\circ}$
- Operation:  $-20^{\circ} \sim 75^{\circ}$
- Operating Humidity: 10% ~ 90%RH
- Mates with modular plug conforming to FCC part 68, subpart F
- Standards: ANSI/TIA 568.2-D, YD/T 926.3-2009, ISO/IEC11801

### Mechanical:

- Plug insertion life: 750 times Min.;
- Durability: 200 termination cycles min.;
- Plug insertion force:  $\leq 20$ N
- Plug retention force:  $\geq 20$ N
- Wire contact compatibility: accommodates AWG 22-24 Solid;
- Retentiveness of insertion structure: 50N 60±5s.





### For More Information:

Email: [sales@telexmax.cn](mailto:sales@telexmax.cn)

[www.telexmax.cn](http://www.telexmax.cn)

[www.telexmaxcable.com](http://www.telexmaxcable.com)